

# LD26 & LD26A IP66

High Power Linear Reflector LED System



Data sheet - Page 1



LD26 is now offered in a re-designed IP66 rated housing to reduce the cost per metre. This makes it a far more cost effective solution for lighting walls in showers where IP54 is not a high enough rating, and IP68 is not cost effective. It is a reflector based linear system which has been designed to produce a continuous, even wash with the latest in LED technology. By mounting the LEDs within a linear reflector, there is no uneven spotting from lenses or loss of output from just using the LED itself. It comes in two versions, LD26 with a symmetric 82° reflector and the LD26A with an asymmetric reflector tilted at 8°.

## Key Features

- Superb continuous lighting capabilities
- IP66 rated for bathrooms and showers
- Reflectors focus the light to where it is needed
- Custom made lengths as standard
- High power for its compact size
- Available with Switched, 0-10V, DMX or Dali drivers

## Specification

Applications				
Beam Angles	LD26 IP66 - 82° & LD26A IP66 -82° with 8° tilt			
LED type	Cree XPG2			
Colour temperature	2700K** / 3000K		5000K	
Drive Current (mA)	350	500	350	500
LED power* (W)	1.2W	1.7W	1.2W	1.7W
CRI (typical)	93	93	75	75
Forward voltage (V) <sub>100</sub>	3.0V	3.2V	3.0V	3.2V
LED spacing	Delivered lm/m** (L <sub>100</sub> )			
50mm	2027	2767	2463	3361
75mm	1318	1798	1601	2185
100mm	1014	1383	1232	1681
Lumens per circuit watt***	84	81	103	99
LED lifetime (to 70% lumen maintenance)	50,000hrs at a max ambient temperature of 35°C			
Materials	Frosted polycarbonate end caps, polycarbonate clear tube, with silver anodised aluminium extrusion enclosed.			
Wiring	Comes pre-wired with 2m lead, can be specified with up to 10m at extra cost			
IP rating	IP66			

\*LED wattage includes losses associated with using an 85% efficient driver

\*\*2700K lumen output is 12% lower than the 3000K figure listed

4000K lumen output is 14% higher than the 4000K figure listed (80 CRI)

\*\*\*Data shown allows for 50mm spacing



# LD26 & LD26A IP66

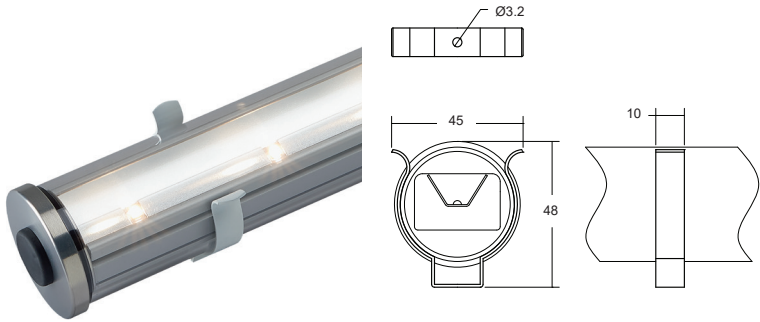
High Power Linear Reflector LED System



Data sheet - Page 2

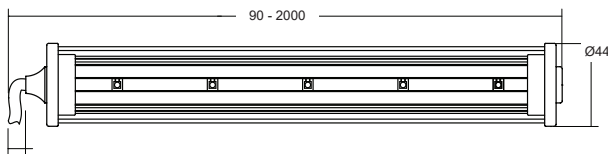
## Fixing Options and Dimensions

**/SC**  
Spring Clip Fixing



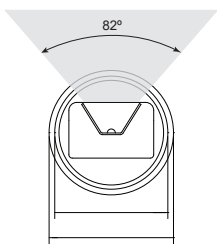
(Dimensions in mm)

Custom made lengths

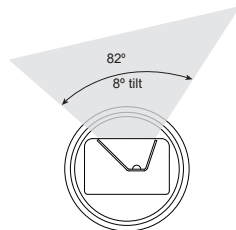


## Reflector options

**LD26**  
Symmetric



**LD26A**  
Asymmetric



## Photometrics

Photometric files are included in the design pack which can be downloaded from the LD26/LD26A IP66 product page on the website.

## Order Codes and Options

Product code	LED colour	LED spacing	Product colour	Fixing option	Length
LD26(A) - 350 IP66 - 500 IP66	<input type="text"/>	<input type="text"/>	<input type="text"/>	<input type="text"/>	<input type="text"/>

Example: LD26-500 IP66 / LW30 / 50 / Silver Anodised / SC / 1200mm

Product codes with output options	
1.2W LED at 350mA	LD26(A)-350 IP66
1.7W LED at 500mA	LD26(A)-500 IP66
LED colour options	
Super Warm White (2200K)	/LW22
Extra Warm White (2700K)	/LW27
Warm White (3000K)	/LW30
White (4000K) - on request	/LW40
Cool White (5000K)	/LW50
<small>*Other LED colour temperatures are available. Please speak to a member of our sales team.</small>	
LED spacing	
50mm	/50
75mm	/75
100mm	/100
Product colour	
Silver anodised (end caps are frosted polycarbonate)	
Fixing options	
Spring clips	/SC
Use with 350mA and 500mA constant current LED drivers	
We have a wide range of dimmable LED drivers, 0-10V, DMX, DALI and Mains dimmable. Please see the downloads section on our website.	